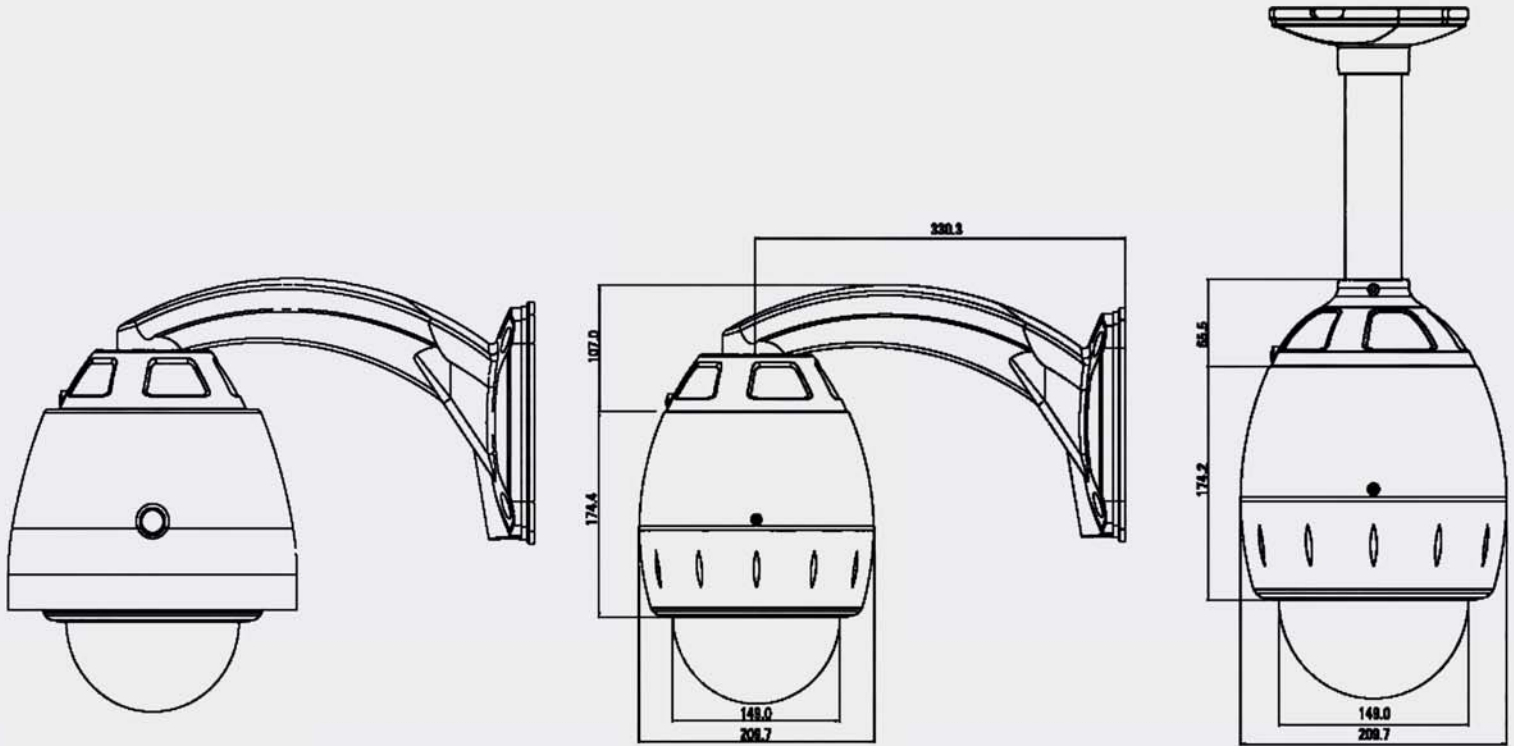


300x Outdoor Speed Dome (EXview CCD)



Features

- 128 preset positions
- Pan rotation range endless 360°
- Tilt rotation range 0° to 90°
- Pan/Tilt maximum rotating speed is 360°/sec
- 480 TVL high resolution
- Electronic sensitivity-up (DSS)
- True Day & Night (ICR)
- Auto focus, Auto parking functions
- Auto-Flip function
- RS-485 protocol compatible
- Wall mount housing (Option: Pendant mount housing)



Optional Accessories



Sunshield for outdoor use



Corner mount bracket



Wall Mount & Sunshield



Pendant Mount



Pendant Mount & Sunshield

Signal System	PAL
Scanning System	2:1 Interlace
Scanning Freq. (H)	15.625kHz
Scanning Freq. (V)	50Hz
Sync. System	Internal / Line-Lock
Image Sensor	SONY 1/4" EXview HAD Interline transfer CCD
Effective Pixel No. (V)	752(H) x 582(V) 440K
H. Resolution	480 TV Lines
Min. Illumination	0.5Lux (Color), 0.3Lux (BW) 0.0005Lux (DSS 128FLD) 30 IRE
Day & Night Type	Electronic sensitivity-up (DSS : OFF, 2FLD ~ 128 FLD)
Video Output	1.0Vp-p (75Ω, composite)
Video S/N Ratio	More than 50dB (AGC Off)
Communication	RS-485, Controllable up to 255 cameras simultaneously
Camera ID / Protocol	256 IDs / Pelco-D, Pelco-P selectable
Lens	
Zoom Ratio	300x Zoom (30x Optical Zoom, 10x Digital Zoom)
Focal Length	2.5 (W) mm ~ 91 (T) mm
Apture Range	F1.6 (W) ~ F3.8 (T)
Pan and Tilt	
Panning/Tilting Range	Pan: 360° endless rotation; Tilt: 90°
Panning/Tilting Speed	Manual: 1° ~ 360°/sec; Preset: 360°/sec; Swing: 1°~ 180°/sec
Panning/Tilting Accuracy	±0.25°
Preset	128 position with Labels
Swing / Pattern / Group	8 Swings/4 Patterns (about 5min/Pattern)/8 groups (max. 20)
Main Functions	
OSD Menu	ON/OFF (English)
Focus Control	Auto/Manual/Semi-Auto
Color / BW Switching	Supplied
Day/Night	Auto : D&N Auto Change / Day : Color+DSS (refer to the manual setting) / Night : BW+DSS 4FLD
Electronic Shutter	1/50~1/10,000sec
Iris / Gain Control	Auto/Manual (0~255)
Brightness Control	Adjustable (0~96)
White Balance	Auto/Manual (Red, Blue Gain Adjustable)
BLC / Flickerless	ON/OFF
Negative / Freeze Mode	ON/OFF
Reverse / Mirror	ON/OFF (180° rotation); ON/OFF
Power-up Action	Resume the last action executed (Preset, Swing, Group)
Auto Parking / Flip	ON/OFF; ON/OFF (rotates dome 180° at bottom of tilt travel)
Alarm I/O	4 port coupler inputs, 2 relay outputs
Image Setup	Global / Local (setting WB & AE)
Electrical & General	
Power	AC 24V / 0.6A (DC Option: 12V / 1.2A), 14.4W
IP Ratio	IP66
Dimensions (approx.)	Dome: 150(Φ); Housing: 170(Φ) x 300(H) mm
Housing	S2265N(P)XP : Pendant mount housing
	S2265N(P)XW : Wall mount housing

